

Item #:
Project:
Quantity:

MODEL NUMBER(S)

BKON100

PRODUCT OVERVIEW

BKON Craft Brewer, programmable for automated preparation of hundreds of varieties of coffee, loose-leaf tea and infused spirits patented fully automated control of critical negative-pressure variables plus time and temperature. World-class technology brews most teas and coffees in one-third the time of traditional brewing. Efficient brew+clean cycle produces serving sizes from 10-20oz.

STANDARD PRODUCT FEATURES

- Lighted brew chamber
- Pre-programmed recipes allow barista to perfectly brew premium loose-leaf tea, coffee, spirits, etc.
- Simple touch-screen user interface
- Touch screen LED display lighting
- Self-cleaning brew chamber with rotating spray head for even cleaning of glass
- Automated daily cleaning cycle
- Color-coded brew baskets and handles
- Compact 9.5" x 17" tower footprint
- Brew tower with powdercoat finish on aluminum
- Undercounter water/vacuum supply center with stainless steel cabinet
- Built-in drip tray
- 6.5' power cord with 208/60/1, 30A, NEMA L6-30P twist lock plug
- One year parts and labor warranty

CAPACITY

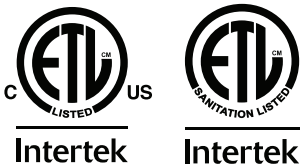
Model	Servings per hour
BKON100	30 servings per hour up to 20 oz. each

OPTIONS

- Black Finish
- White Finish
- Custom Color (call factory for quote)

ACCESSORIES

- 27801776 Accessory Rack
- TBD All-in-One Replacement Kit
- 151044 Cleaning Brush
- 27801749 Purge Valve Tool
- 18008925 Descale Kit

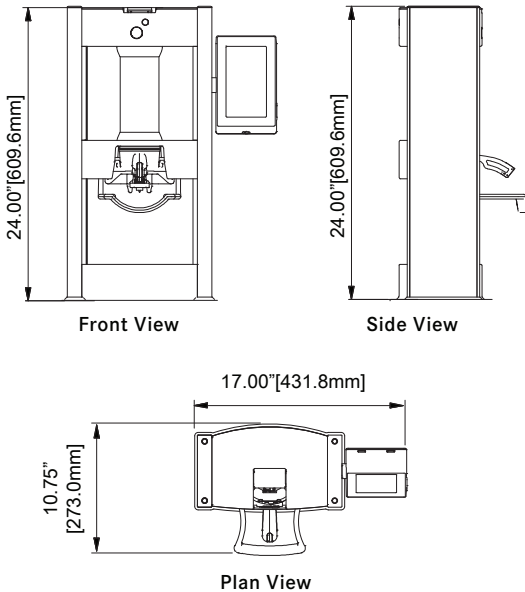


Approval _____

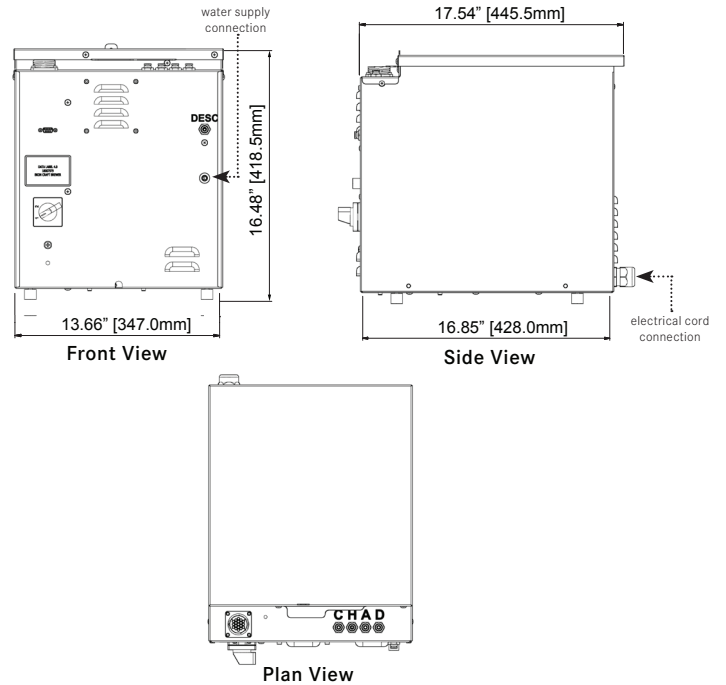
Franke Foodservice Solutions, Inc.
 800 Aviation Parkway
 Smyrna, TN 37167
 Tel +1-877-379-3769
 frankeamericas.com



Tower



Water/Vacuum Supply Center (WVSC)



SPECIFICATIONS

ELECTRICAL	Voltage/Frequency/Amps	208/60/1, 30A, single phase, NEMA Twist-Lock L6-30 Plug		
	208/60/1, 20A	Receptacle to be within 5' of WVSC 6.5' power cord included and attached.		
Water Supply Line		3/8" water connection - shut-off valve (to be provided by others) must be installed within 3' of WVSC		
Drain Line		Floor drain to be within 5' of WVSC. 10' drain hoses included.		
DIMENSIONS	Tower	Width	431.8 mm	17"
		Depth	273.0 mm	10.75"
		Height	609.6 mm	24"
	Water/Vacuum Supply Center	Width	347.0 mm	13.66"
	Depth	445.5 mm	17.57"	
	Height	418.5 mm	16.48"	
Minimum 4" clearance on top and all sides of WVSC (not included in dimensions) Cabinet requires louvers to allow heat to dissipate				
WEIGHT	Tower	33 lbs		
	Water/Vacuum Supply Center	66 lbs		
	Installation Kit	9 lbs		
	Total Shipping Weight	143 lbs		
SHIPPING	FOB	37334	Fayetteville, TN	
	Freight Class	LTL 150		

SHORT-FORM SPECIFICATIONS: Model No. BKON-100, Measuring 10.75" L by 17.00" W by 24.00" H and requiring 208/60/1 20A Maximum and a 30A NEMA-L6-30P receptacle. Unit shall include RAIN (Reverse Atmospheric Infusion) technology for vacuum brewing of craft beverages, removable glass brew chamber, LCD display with USB port, as well as removable brew handle and basket. Shall include 1 year parts and labor warranty.

	REQUIRED*	RECOMMENDED**
Total Hardness	<7 grains/gallon	<3 grains/gallon
TDS (Total Dissolved Solids)	<200 ppm	85-115 ppm
pH	7.0 (neutral)	7.0 (neutral)
Total Alkalinity	<100 ppm	30-35 ppm
Total Chlorine	0 ppm	0 ppm
Combined Calcium/Magnesium	<100 ppm	30-35 ppm
Sodium-potassium	<50 ppm	11 ppm
Iron	<2 ppm	0 ppm
Detectable odor	n/a	none
Input Pressure	30 to 90 psi	30 to 90 psi
Input Temperature	<90 deg °F	<90 deg °F

*Required water quality is necessary for proper function of BKON Craft Brewer and to maintain warranty coverage. If water quality is outside of required specification, please contact Franke customer service at +1-877-379-3769 for options on how to meet the specification. Failure to meet the specification will result in a voided warranty.

**Recommend water quality provides best beverage quality, particularly for tea.



Make it wonderful

