



**HOSHIZAKI**

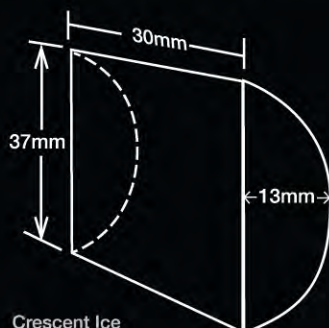
# Crescent

Ice Machine

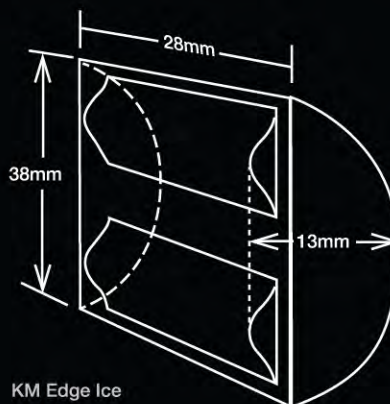


KM machines produce clear, crescent shaped ice. The unique shape is extremely versatile and extends from the splash-free serving of post mix soft drinks through to diverse applications such as fish transportation, food display etc.

## KM Edge Cube Dimensions



Crescent Ice



KM Edge Ice

## KM Series – Crescent Ice Machine

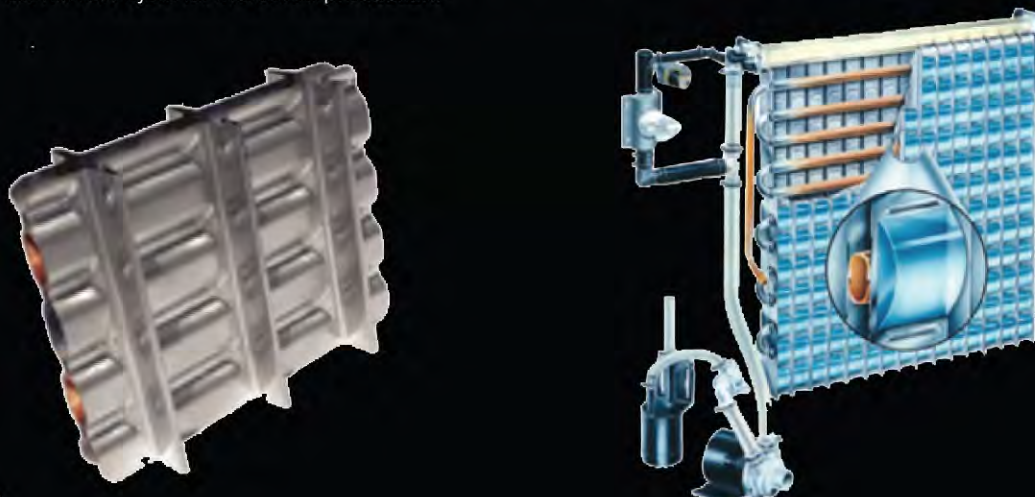
### Key Features and Benefits:

- Unique dual-sided ice-making method increase single ice output, thereby reducing water and energy consumption.
- Produce INDIVIDUAL, CRYSTAL, CLEAR Crescent ice as only the purest water molecules will be frozen on the evaporator, washing most of the minerals and impurities down the drain.
- Vertical stainless steel evaporator with long durability.
- The controller board manages the freeze cycles and adjusts the setting to accommodate external factors that influence the ice making process.



## New KM Edge Evaporator:

- Increased efficiency with maximized surface area, increased productivity and energy saving.
- Fast harvest cycle for increased production.





## Self Contained Type

KM-40B



KM-55B



KM-80B



KM-115B



KM-140B



MODEL	KM-40B	KM-55B	KM-80B	KM-115B	KM-140B
Max daily production (kg)	43 kg	53 kg	79 kg	112 kg	138 kg
Electric power (W)	278 w	288 w	449w	598 w	632 w
Storage capacity	16 kg	23 kg	40 kg	45 kg	55 kg
Dim. (W x D x H) (with legs) mm	452 x 617 x 842	605 x 617 x 842	605 x 719 x 842	612 x 712 x (840 + 152)	762 x 712 x (840 + 152)

## Modular type

KMD-201AA (B-301SA)



KMD-201AWA (B-301SA)



KMD-270AA (B-301SA)

KMD-270AWA (B-301SA)



MODEL	KMD-201AA	KMD-201AWA	KMD-270AA	KMD-270AWA
Max daily production (kg)	190 kg	190 kg	275 kg	270 kg
Electric power (W)	700 w	589 w	984 w	925 w
Dim. (W x D x H) (with legs) mm	560 x 625 x 610 (w/o Bin) 560 x 820 x 1721 (w/B-301SA)	560 x 625 x 610 (w/o Bin) 560 x 820 x 1721 (w/B-301SA)	560 x 625 x 610 mm (w/o Bin) 560 x 820 x 1721 (w/B-301SA)	560 x 625 x 610 mm (w/o Bin) 560 x 820 x 1721 (w/B-301SA)

\* Power Supply: Single phrase / 220V / 50Hz

\* Ice Maker Operation Conditions: Test Ambient Temperature 10°C and test water temperature at 10°C

\* Model number with "W" = Water Cooled Condensing System

# Modular type

KM-515MAH-E(B-301SA)



KM-650MAH-E(B-301SA)



KM-1100MAJ-50(B-501SA)



KM-1301SAH-E(B-801SA)



MODEL	KM-515MAH-E	KM-650MAH-E	KM-1100MAJ-50	KM-1301SAH-E
Max daily production (kg)	233kg	296kg	494kg	505kg
Electric power (W)	7.1 (KWH per 45kg)	5.7 (KWH per 45kg)	4.9 (KWH per 45kg)	5.1 (KWH per 45kg)
Dim. (W x D x H) (with legs) mm	560 x 695 x 770 (w/o Bin) 560 x 820 x 1876 (w/B-301SA Bin)	560 x 695 x 950 (w/o Bin) 560 x 820 x 2056 (w/B-301SA Bin)	762 x 696 x 826 (w/o Bin) 762 x 820 x 1932 (w/B-501SA Bin)	1225 x 695 x 695 (w/o Bin) 1200 x 820 x 1801 (w/B-801SA Bin)

\* Power Supply: Single phrase / 220V / 50Hz

\* Ice Maker Operation Conditions: Test Ambient Temperature 10°C and test water temperature at 10°C

\* Model number with "W" = Water Cooled Condensing System





## Ice Bin

In order to ensure ample quantities of ice all the times, Hoshizaki offers a wide range of storage bins that configure perfectly with its ice machines. Additional top panel may necessary to seal off the bin completely to avoid external contamination. Please refer to the following table to match the suitable top kit

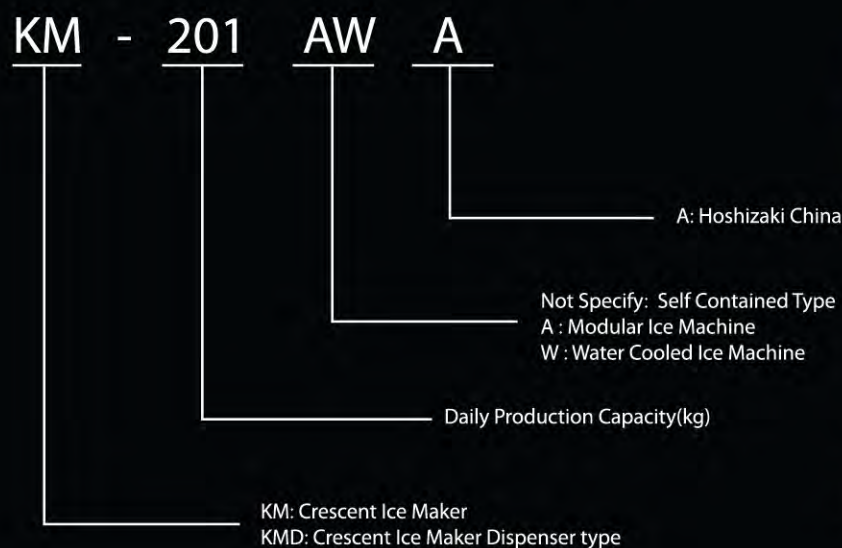
MODEL	B-301SA	B-501SA	B-801SA
Dimension (W x D x H) mm	559 x 820 x (1016 + 90)	762 x 820 x (1016 + 90)	1220 x 820 x (1016 + 90)
Storage Capacity	144kg	217kg	348kg



## Combination List for Bin, Ice Machine and Top Kit

	W22		W30	W22			W48	IM (Horizontal)
	FM100~600 KM515~650 IM240A	KMD201 KMD270 IM-220AA	FM1000 KM1100	FM170~600 x 2 IM240A x 2 KMD201W x 2 KMD270W x 2 KM650 x 2	IM-2200AA x 2	KMD201 x 2 KMD270 x 2 *Air-cooled	KM1301	IM240D IM240X
B-301SA	-	-	-	-	-	-	-	-
B-501SA	Top Kit 8D	Top Kit 8D	-	-	-	-	-	-
B-801SA	Top Kit 8D Top Kit 18D	Top Kit 8D Top Kit 18D	Top Kit 18D	Top Kit 4DM	Top Kit 4DM	Top Kit 4DM Top Kit 4DR	-	Top Kit IMD2
Additional Top kit	Top Kit 22	-	Top Kit 30	Top Kit 22 x 2	-	-	Top Kit 4B	-

## Identification of Model Number





# HOSHIZAKI

Hoshizaki Hong Kong Co., Ltd.  
Show Room and Customer Service

Unit G, 17/F, World Tech Centre,  
95 How Ming Street  
Kwun Tong, Kowloon,  
Hong Kong

Enquiry Hotline: 2866 2108  
Email: [info@hoshizaki.com.hk](mailto:info@hoshizaki.com.hk)  
[www.hoshizaki.com.hk](http://www.hoshizaki.com.hk)



facebook



website

## Warranty

2 years parts & labour warranty

3 years compressor parts warranty

\*Warranty valid in serviceable area by Hoshizaki qualified service company only

\*Preventive Maintenance Programme is available

\* The product image, models number and specifications used in the catalogue are for reference only and are subject to change without prior notice.

Your dealer will be able to provide you with reliable information

Authorized Distributor:

**C.E.C.** 酒店設備有限公司  
C.E.C. CATERING EQUIPMENT CO., LTD.

HONG KONG OFFICE 香港辦事處

Address: 6/F Unify Commercial Industrial Building,  
31 Tai Yip Street, Kwun Tong, Hong Kong  
九龍觀塘大業街31號協發工商大廈6樓

Tel: (+852) 2757-3410

Fax: (+852) 2796-1523

Email: [info@cechk.com](mailto:info@cechk.com)

Website: <http://www.cechk.com/>

MACAU OFFICE 澳門辦事處

Address: Avenida De Veneslau De Morais No. 157  
Ind. Kek Seng, Bl.-02, J 10, Macau  
澳門蘇拉士大馬路 157 號濠成工業大廈  
第2期 10樓J座

Tel: (+853) 2897-4268

Fax: (+853) 2870-6216

Email: [cecmacau@macau.ctm.net](mailto:cecmacau@macau.ctm.net)