



TORNADO 2™

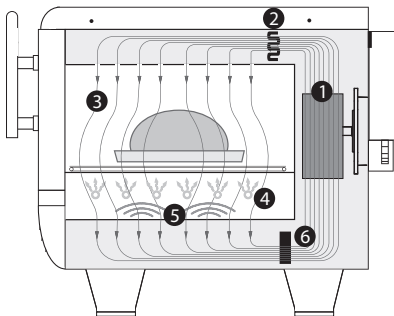


PERFORMANCE

The Tornado 2™ oven evenly and consistently toasts, browns, and crisps food up to twelve times faster than traditional cooking methods, resulting in a high level of throughput without compromising quality.

VENTILATION

- UL (KNLZ) listed for ventless operation.†
- EPA 202 test (8 hr):
 - Product: Pepperoni Pizzas
 - Results: 0.21 mg/m³
 - Ventless Requirement: <5.00 mg/m³
- Internal catalytic filtration to limit smoke, grease, and odor emissions.



1. Blower Motor
2. Impingement Heater
3. Impinged Air
4. Bottom Browning Element
5. Microwave Bursts
6. Catalytic Converter

Project _____

Item No. _____

Quantity _____

EXTERIOR CONSTRUCTION

- Stainless steel exterior with powder-coated side panels
- 4" (102 mm) legs
- Cool to the touch pull down door with microwave seal

INTERIOR CONSTRUCTION

- 304 stainless steel interior
- Fully insulated cook chamber
- Removable / variable cooking surfaces
- Exposed bottom browning element

STANDARD FEATURES

- Integral recirculating catalytic converter for UL (KNLZ) listed ventless operation
- Variable-speed High h recirculating impingement airflow system
- Variable cooking surfaces (racks, stones, and platters)
- Independently-controlled bottom browning element
- Smart Voltage Sensor Technology* (U.S. only)
- Smart menu system capable of storing up to 128 recipes
- Built-in self-diagnostics for monitoring oven components and performance
- Stackable design (requires stacking kit)
- Manual snooze mode
- Includes plug and cord (6 ft. nominal)
- Smart card compatible
- Warranty – 1 year parts and labor

COMES WITH STANDARD ACCESSORIES

- 1 Aluminum Paddle (NGC-1478)
- 1 Bottle Oven Cleaner (103180)
- 1 Bottle Oven Guard (103181)
- 2 Trigger Sprayers (103182)
- 2 PTFE Baskets (100011)



This product conforms to the ventilation recommendations set forth by NFPA96 using EPA202 test method.

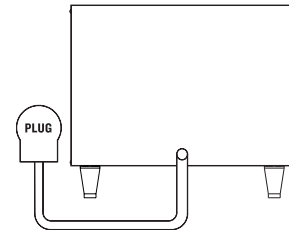
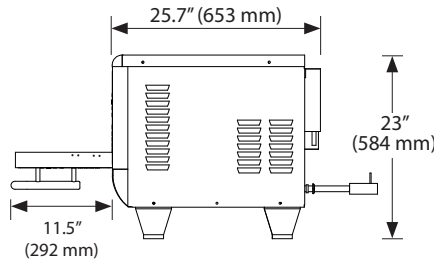
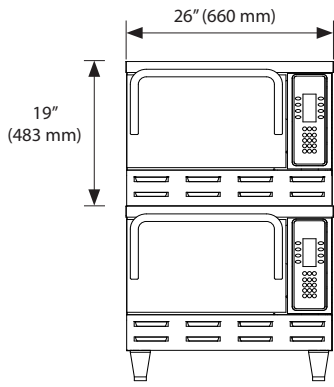
* Smart Voltage Sensor Technology does not compensate for lack of or over voltage situations. It is the responsibility of the owner to supply voltage to the unit according to the specifications on the back of this sheet.

**Accessories vary by country requirements

† Ventless certification is for all food items except for foods classified as "fatty raw proteins." Such foods include bone-in, skin-on chicken, raw hamburger meat, raw bacon, raw sausage, steaks, etc. If cooking these types of foods, consult local HVAC codes and authorities to ensure compliance with ventilation requirements.

Ultimate ventless allowance is dependent upon AHJ approval, as some jurisdictions may not recognize the UL certification or application. If you have questions regarding ventless certifications or local codes please email ventless.help@turbochef.com

TORNADO 2™



| DIMENSIONS | | | |
|---|---------------------------------------|-------------|--|
| Single Units | | | |
| Height | 19" | 483 mm | |
| on legs | 23" | 584 mm | |
| Width | 26" | 660 mm | |
| Depth | 25.7" | 653 mm | |
| with handle | 28.45" | 723 mm | |
| Weight | 190 lb. | 86 kg | |
| Stacked Units (Stacking Kit Required) | | | |
| Height | 38" | 965 mm | |
| Width | 26" | 660 mm | |
| Depth | 25.7" | 653 mm | |
| with handle | 28.45" | 723 mm | |
| Cook Chamber | | | |
| Height | 8" | 203 mm | |
| Width | 15.5" | 394 mm | |
| Depth | 14.7" | 373 mm | |
| Volume | 1.05 cu.ft. | 29.9 liters | |
| Wall Clearance (Oven not intended for built-in installation) | | | |
| Top | 4" | 102 mm | |
| Sides | 2" | 51 mm | |
| ELECTRICAL SPECIFICATIONS | | | |
| NORTH AMERICA (NGC-1280-1) | | | |
| Phase | 1 Phase | | |
| Voltage | 208/240 VAC | | |
| Frequency | 60 Hz | | |
| Current | 30 amps | | |
| Max Circuit Requirement | 30 amps | | |
| Plug/Cord | NEMA 6-30P; 1.5m, H07RN-F | | |
| Max Input | 5,990 watts (208) / 6,675 watts (240) | | |
| Microwave Input Power | 3,500 watts | | |
| NGCBK (NGC-1280-1K-2020) | | | |
| Phase | 1 Phase | | |
| Voltage | 220 VAC | | |
| Frequency | 60 Hz | | |
| Current | 30 amps | | |
| Max Circuit Requirement | 30 amps | | |
| Plug | IEC 309, 3-pin, 32 amp | | |
| Max Input | 6,700 watts | | |
| Microwave Input Power | 3,500 watts | | |
| Latin America (NGC-1280-1K-2151) | | | |
| Phase | 1 Phase | | |
| Voltage | 208/240 VAC | | |
| Frequency | 60 Hz | | |
| Current | 30 amps | | |
| Max Circuit Requirement | 30 amps | | |
| Plug/Cord | NEMA 6-30P; 1.5m, H07RN-F | | |
| Max Input | 5,990 watts (208) / 6,675 watts (240) | | |
| Microwave Input Power | 3,500 watts | | |
| NGCBK (NGC-1280-1K-2020) | | | |
| Phase | 1 Phase | | |
| Voltage | 220 VAC | | |
| Frequency | 60 Hz | | |
| Current | 30 amps | | |
| Max Circuit | 30 amps | | |
| Plug | IEC 309, 3-pin, 32 amp | | |
| Max Input | 6,700 | | |
| Microwave Input Power | 3,500 | | |
| EUROPE/ASIA-PACIFIC | | | |
| NGCEW (NGC-1280-1W for standard) | | | |
| NGCEW (NGC-1280-1W-2024 for Australia/New Zealand)* | | | |
| NGCKW (NGC-1280-1W-2004 for South Korea)** | | | |
| Phase | 3 Phase | | |
| Voltage | 400 VAC | | |
| Frequency | 50 Hz or 60 Hz** | | |

| Current | 16 amps | | |
|--|----------------------------------|--|--|
| Max Circuit Requirement | 20 amps | | |
| Plug | IEC 309, 5-pin, 32 amp | | |
| Max Input | 10,500 watts | | |
| Microwave Input Power | 3,500 watts | | |
| NGCED (NGC-1280-1D) | | | |
| Phase | 3 Phase | | |
| Voltage | 230 VAC | | |
| Frequency | 50 Hz | | |
| Current | 30 amps | | |
| Max Circuit Requirement | 30 amps | | |
| Plug | IEC 309, 4-pin, 32 amp | | |
| Max Input | 10,500 watts | | |
| Microwave Input Power | 3,500 watts | | |
| NGCUK (NGC-1280-1K) | | | |
| Phase | 1 Phase | | |
| Voltage | 230 VAC | | |
| Frequency | 50 Hz | | |
| Current | 30 amps | | |
| Max Circuit Requirement | 32 amps | | |
| Plug | IEC 309, 3-pin, 32 amp | | |
| Max Input | 6,700 watts | | |
| Microwave Input Power | 3,500 watts | | |
| JAPAN | | | |
| NGCJD - 50Hz/ 3 Phase (NGC-1280-1D-2005-1) | | | |
| NGCJD - 60Hz/ 3 Phase (NGC-1280-1D-2005-2) | | | |
| NGCJK - 50Hz/ 1 Phase (NGC-1280-1K-2005-3) | | | |
| NGCJK - 60Hz/ 1 Phase (NGC-1280-1K-2005-4) | | | |
| Phase | 1 or 3 Phase | | |
| Voltage | 200 VAC | | |
| Frequency | 50 or 60 Hz | | |
| Current | 30 amps | | |
| Max Circuit Requirement | 30 amps | | |
| Plug | PSE-marked, 3 or 4-blade, 30 amp | | |
| Max Input | 6,700 or 10,500 watts | | |
| Microwave Input Power | 3,500 watts | | |
| SHIPPING INFORMATION | | | |
| U.S.: All ovens shipped within the U.S. are packaged in a double-wall corrugated box banded to a wooden skid. | | | |
| International: All International ovens shipped via Air or Less than Container Loads are packaged in wooden crates. | | | |
| Box size: 34" x 30" x 30" (864 mm x 762 mm x 762 mm) | | | |
| Crate size: 37" x 33" x 34" (940 mm x 838 mm x 864 mm) | | | |
| Item class: 110 NMFC #26710 HS code 8419.81 | | | |
| Approximate boxed weight: 260 lb. (118 kg) | | | |
| Approximate crated weight: 320 lb. (145 kg) | | | |
| Minimum entry clearance required for box: 30.5" (775 mm) | | | |
| Minimum entry clearance required for crate: 33.5" (851 mm) | | | |

*All AU-New Zealand ovens with clips allow for 5 pin plug.

TurboChef recommends installing a type D circuit breaker for all installations.

TurboChef Global Operations

2801 Trade Center Drive / Carrollton, Texas 75007 USA
 US: 800.90TURBO (800.908.8726) / International: +1 214.379.6000
 Fax: +1 214.379.6073 / turbochef.com